




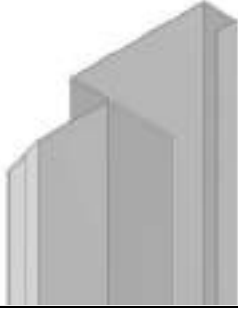





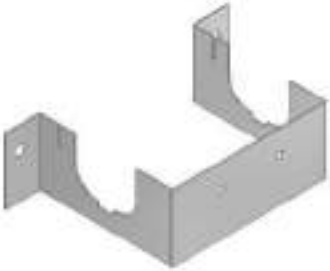
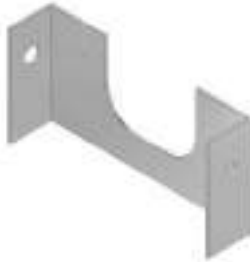



MODULAR COOLING PAD ASSEMBLY INSTRUCTIONS

E N G L I S H

IT IS NECESSARY TO READ THIS MANUAL CAREFULLY
BEFORE INSTALLING AND WORKING ON THE MACHINE.



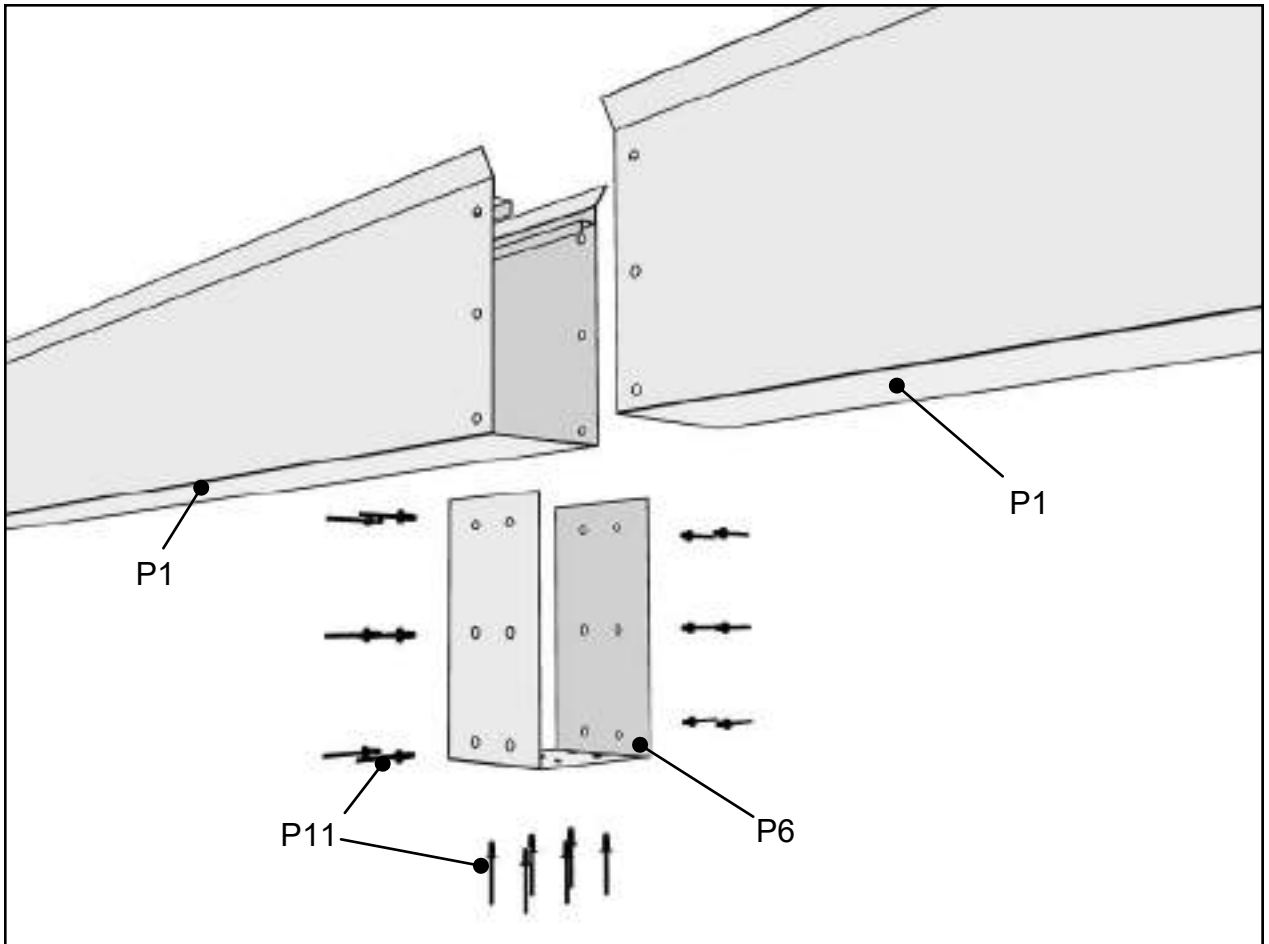
PARTS LIST

<p>P1</p> 	<p>P2</p> 	<p>P3</p> 
<p>Watergutter</p>	<p>Pad guide (fixed)</p>	<p>Pad cover</p>
<p>P4</p> 	<p>P5</p> 	<p>P6</p> 
<p>Right endcover</p>	<p>Left endcover</p>	<p>Coupling for watergutter</p>
<p>P7A</p> 	<p>P7B</p> 	<p>P8</p> 
<p>Pad guide junction</p>	<p>Water pipe bracket (junction)</p>	<p>Water pipe bracket</p>
<p>P9</p> 	<p>P10</p> 	<p>P11</p> 
<p>Wall bracket for watergutter</p>	<p>Watergutter reinforcement</p>	<p>Rivets 4,8 x 7</p>

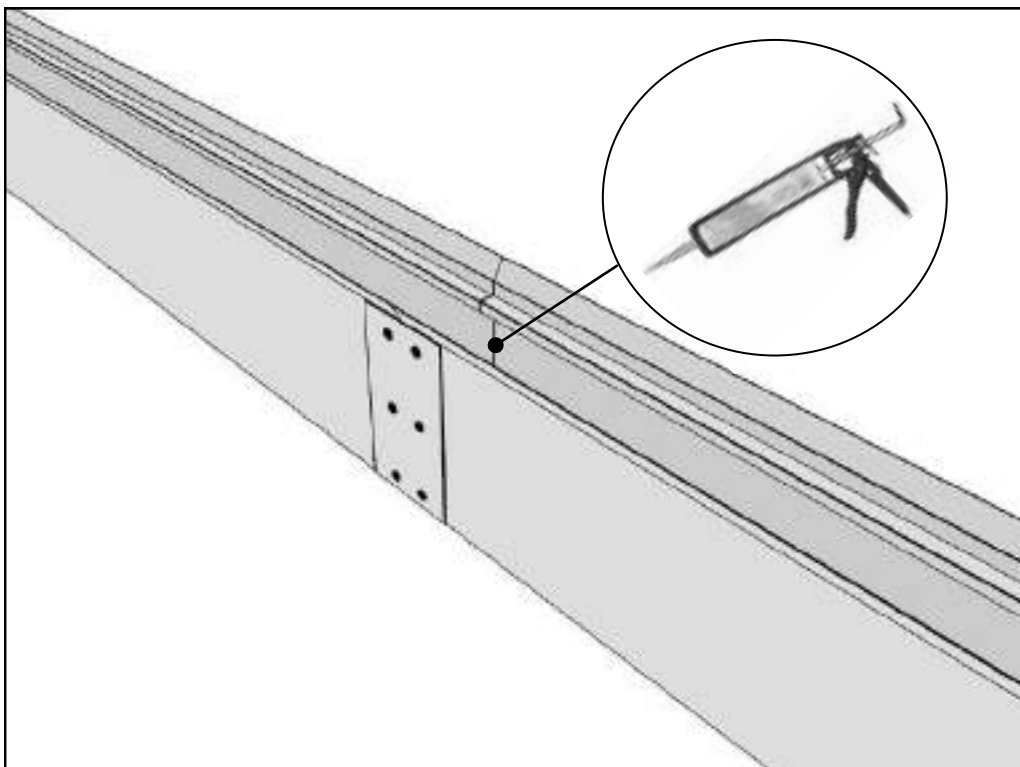
<p>P12</p> 	<p>P13</p> 	<p>P14</p> 
<p>Self-tapping screw 5,5 x 13</p>	<p>Self-tapping screw 5,5 x 32</p>	<p>Hose clamp pipe</p>
<p>P15</p> 	<p>P16</p> 	<p>P17</p> 
<p>Pump</p>	<p>Water filter</p>	<p>Float valve</p>
<p>P18</p> 	<p>P19</p> 	<p>P20</p> 
<p>Water suction pipe</p>	<p>Water delivery pipe</p>	<p>Water distribution pipe</p>
<p>P21</p> 	<p>P22</p> 	<p>P23</p> 
<p>Hose connection</p>	<p>45° elbow</p>	<p>Pipe connector</p>

Modular cooling pad assembly instructions

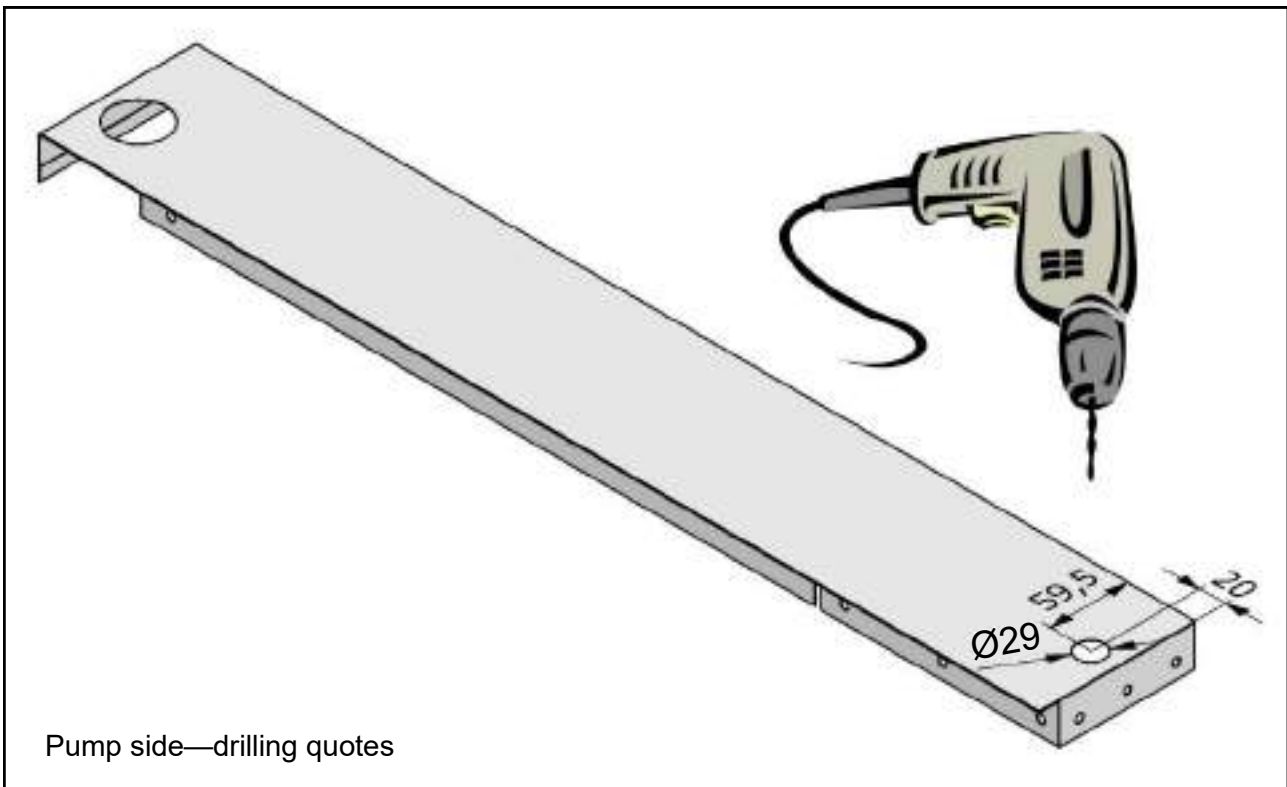
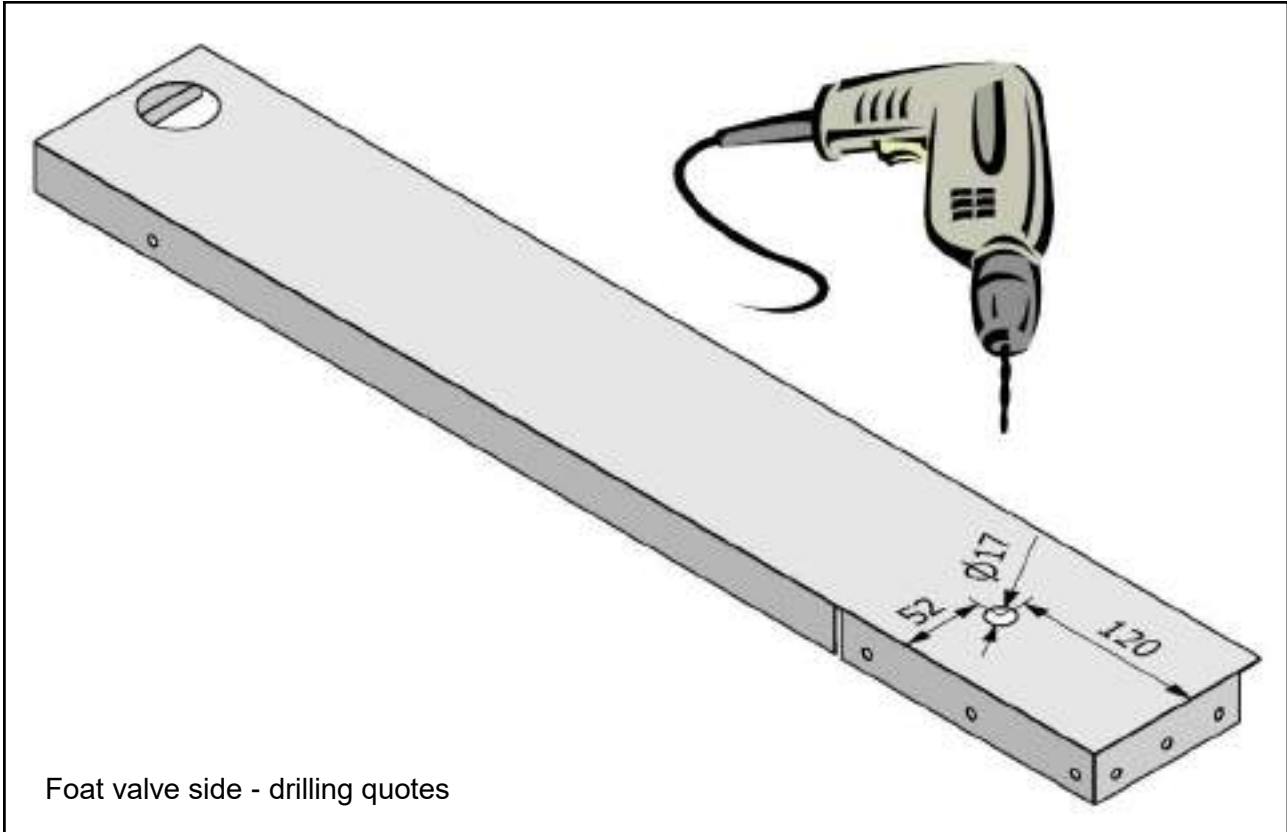
<p>P24</p> 	<p>P25</p> 	<p>P26</p> 
<p>Bulkhead connector 3/4"</p>	<p>Bulkhead gasket</p>	<p>Water distribution cap</p>
<p>P27</p> 	<p>P28</p> 	<p>P29</p> 
<p>Ball valve 3/4"</p>	<p>Nipple adaptor 1" - 3/4"</p>	<p>Pipe connector 3/4"</p>
<p>P30</p> 	<p>P31</p> 	<p>P26</p>
<p>Muff 3/4"</p>	<p>Pump bracket</p>	

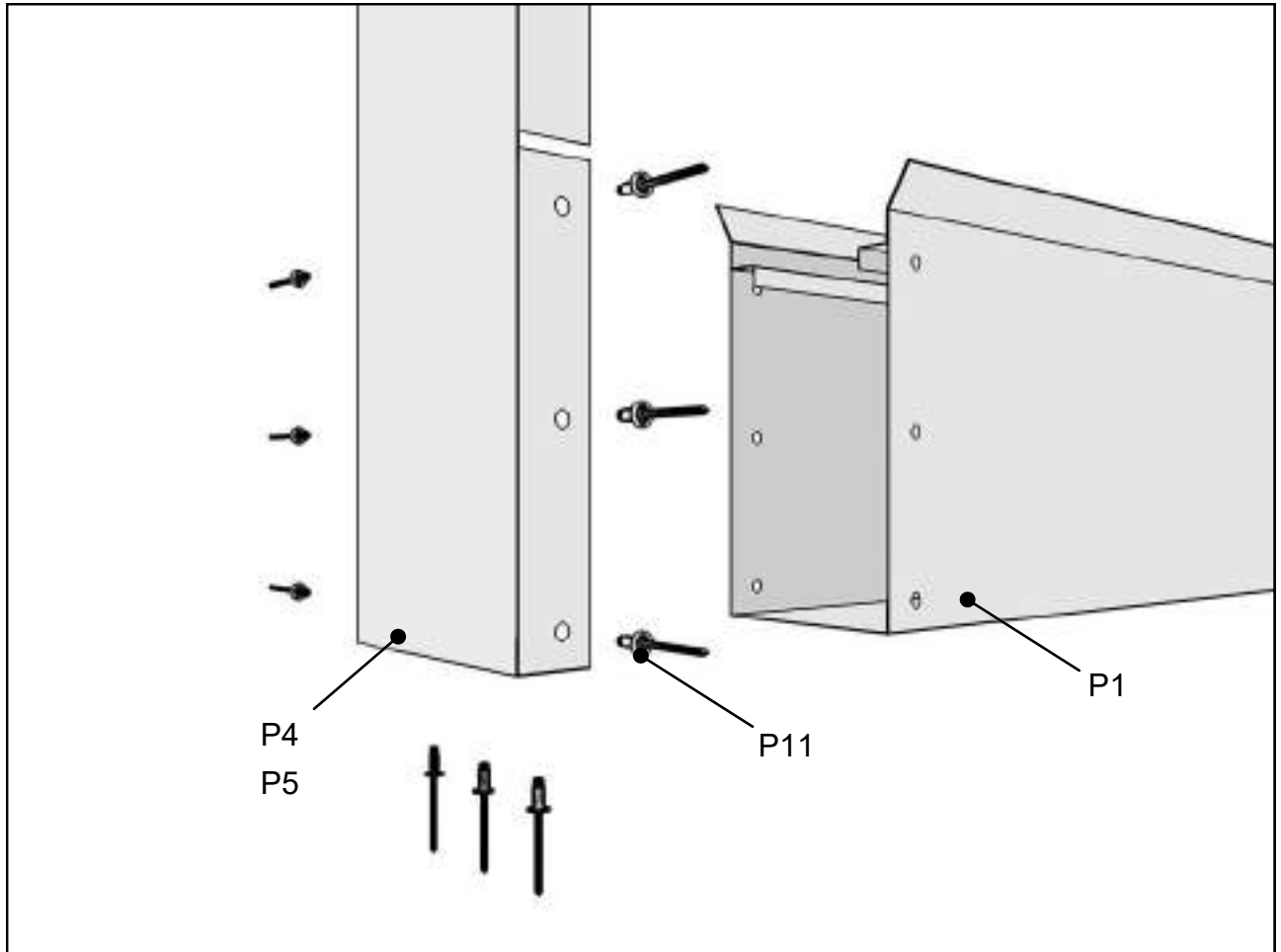


Connect the watergutter with the specific coupling fixing with 4,8x7mm.
Use silicone to seal the joint from the inner.

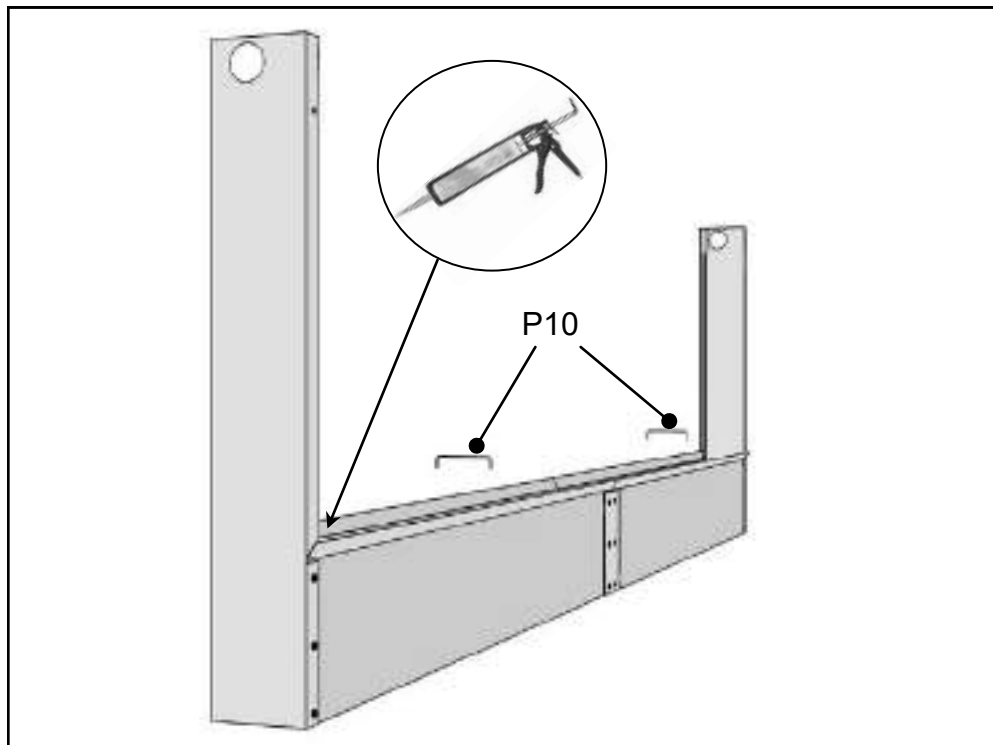


Drill the endcover as follows.
An endcover must be prepared for the float valve
(it is necessary to consider which of the two sides is closer to the water supply).
The opposite side must be prepared for the pump installation.

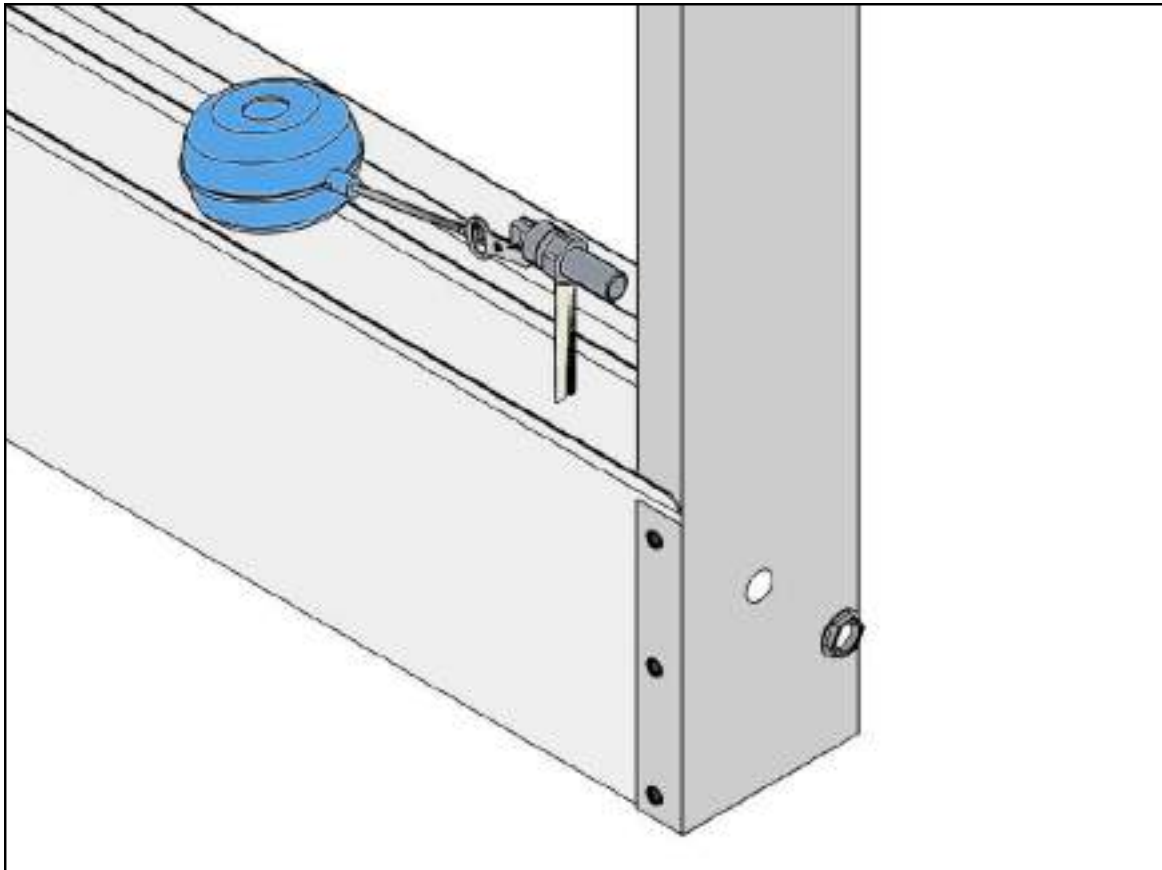




Fix the endcovers to the watergutter with rivets 4,8 x 7.
Seal the joints with the endcovers and place the brackets
allocating on the length of the panel.

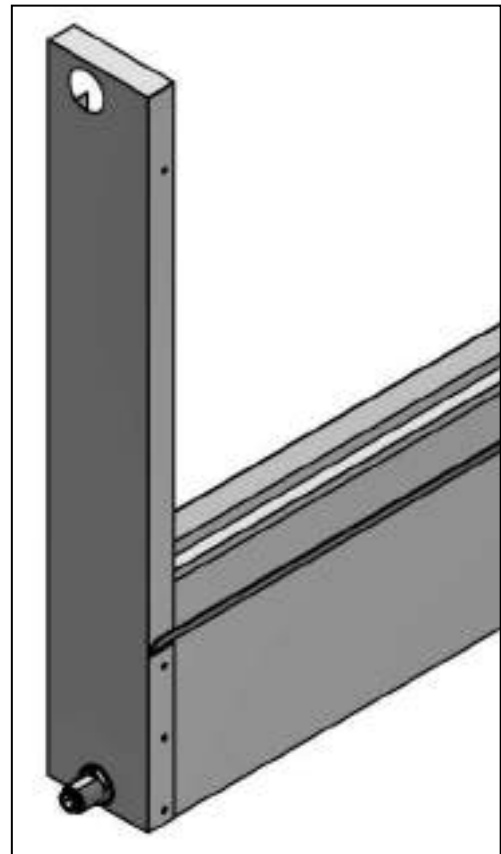
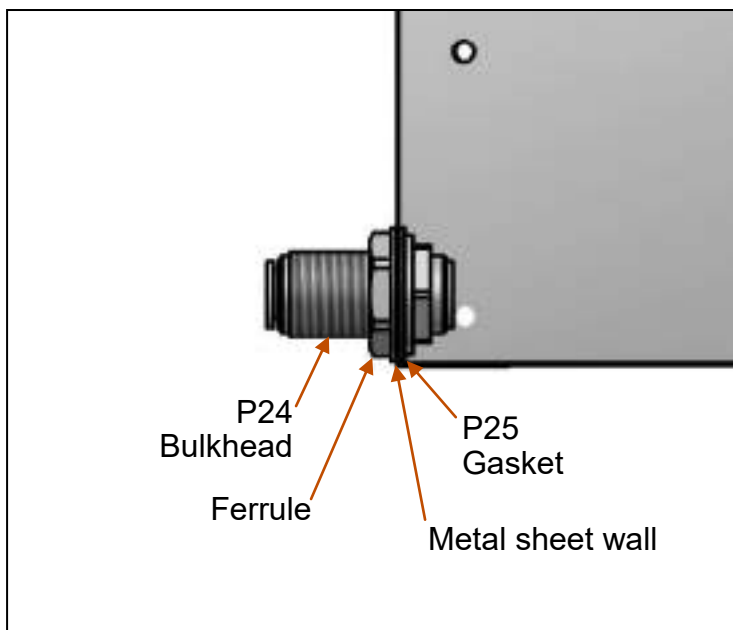


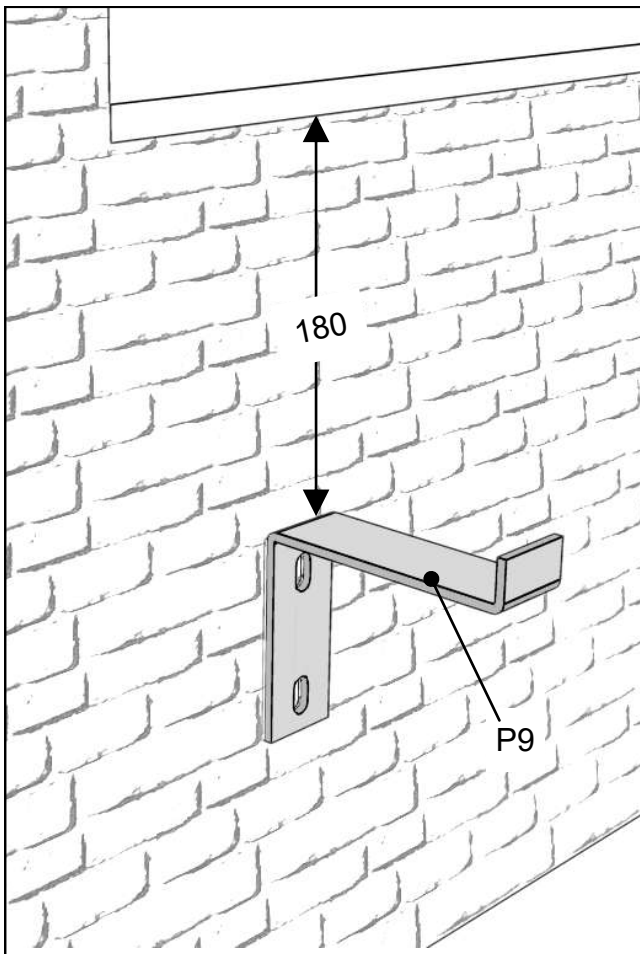
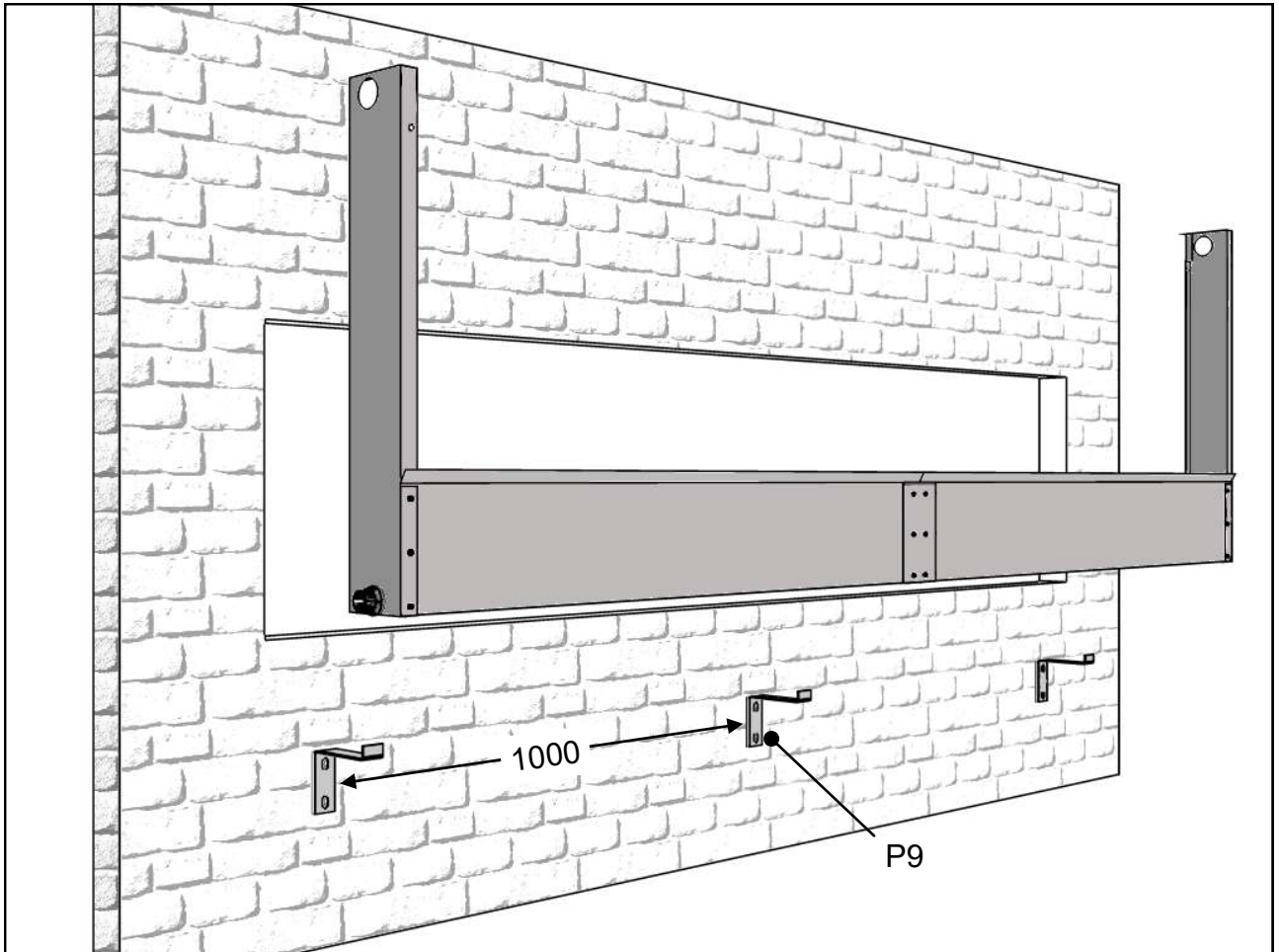
Modular cooling pad assembly instructions



Place the float valve into the hole taking care to fix it with the specific ferrule allowing the free movement of the floating arm.

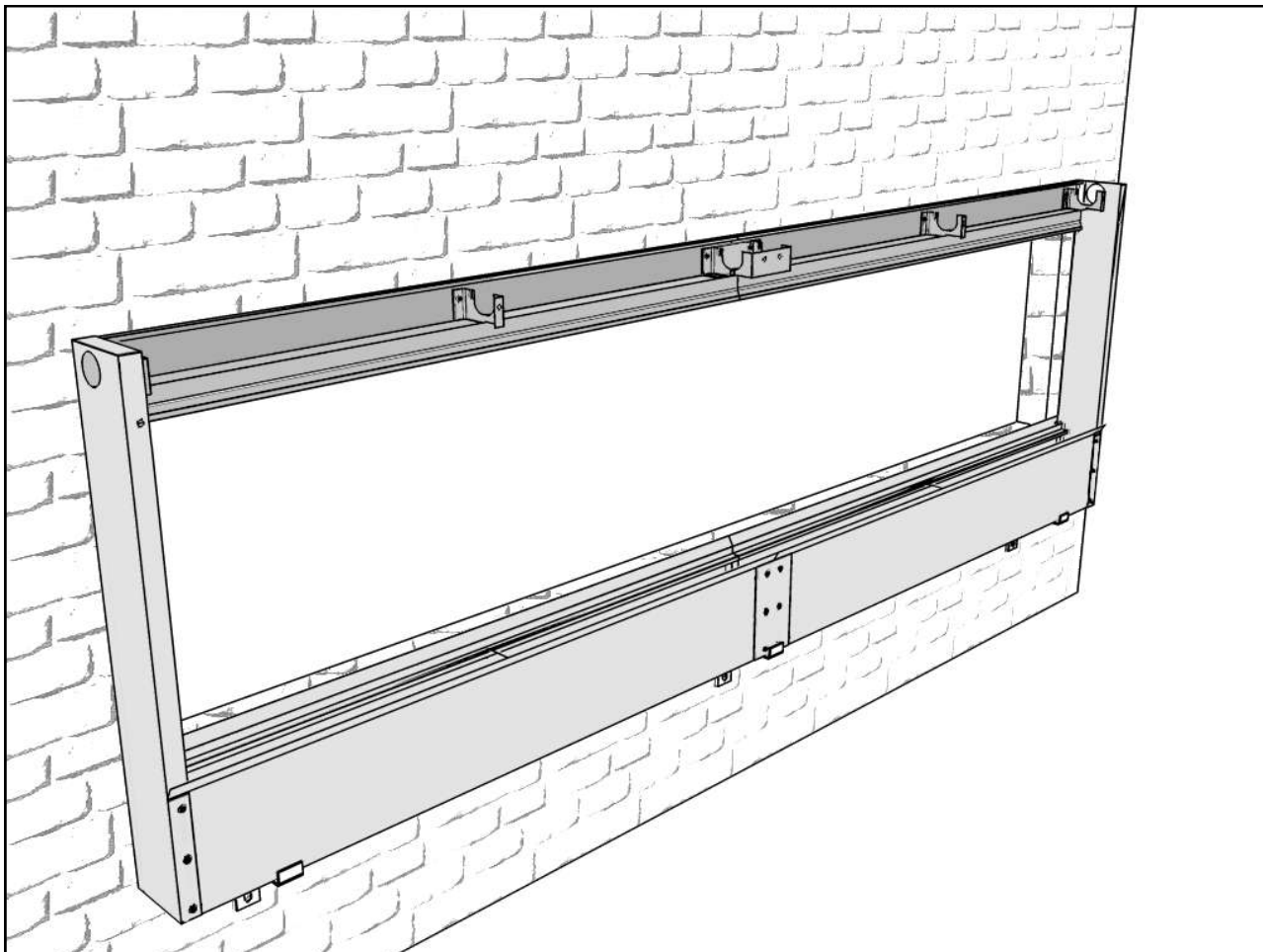
Place the bulkhead connector for the pump fixing on the left side.
The gasket must be set up into the tank



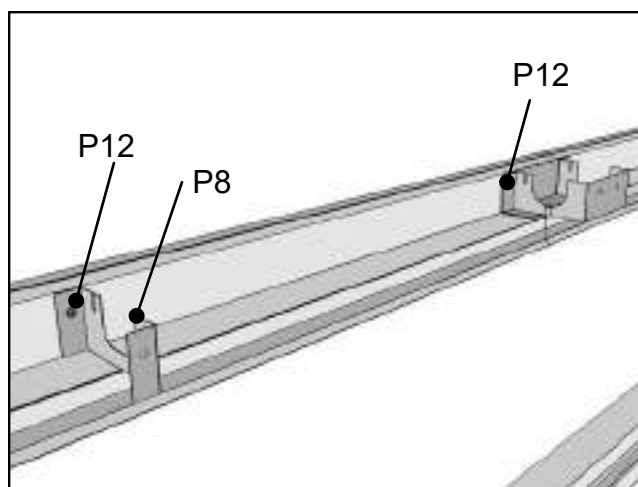
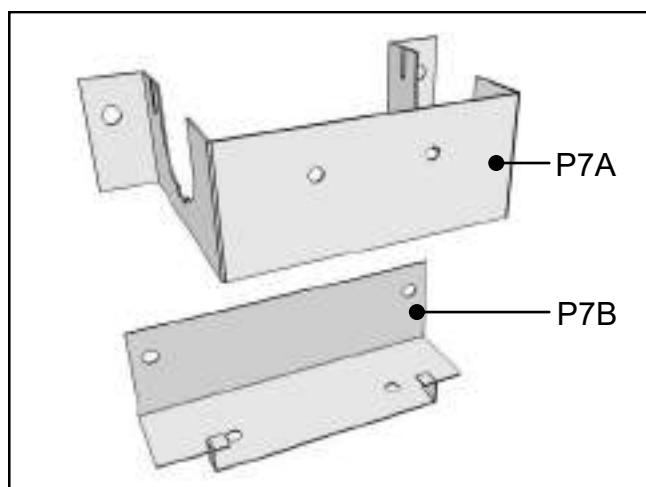


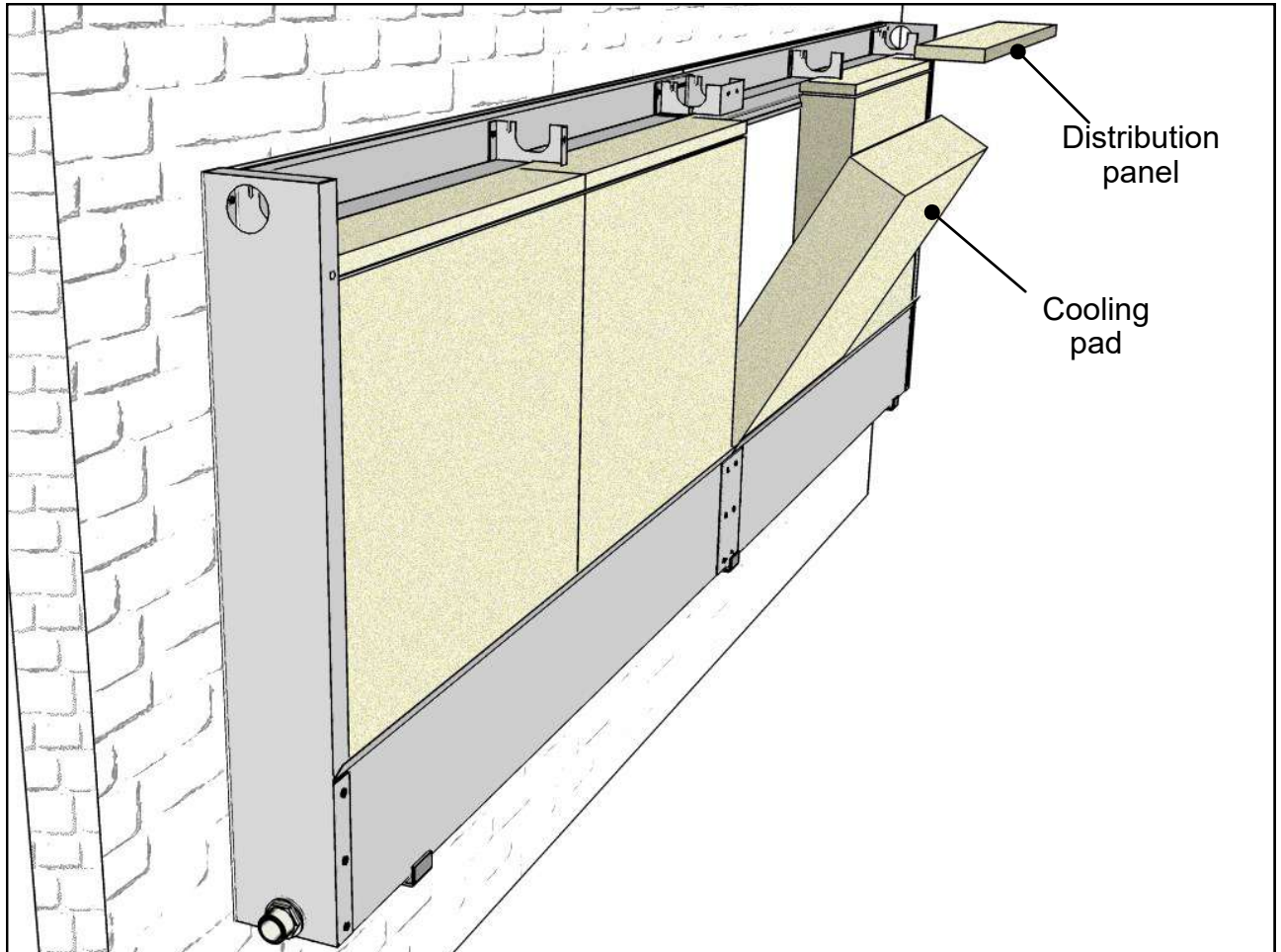
Fix the brackets to the wall with the specific screws and wall plugs.

Modular cooling pad assembly instructions



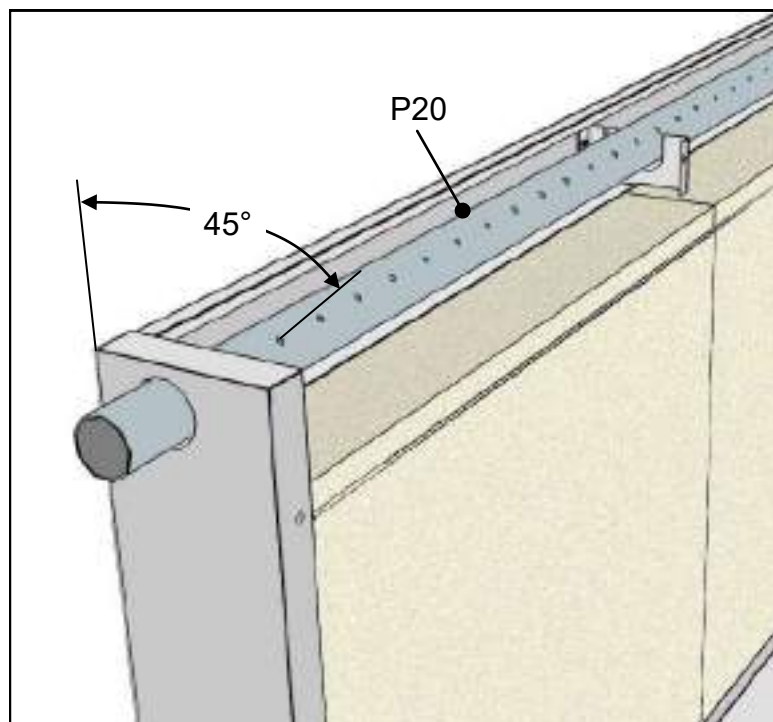
Lean the structure earlier prepared on the brackets anchored on the wall and place the pad guide, fixing it on the wall with screws and wall plugs. The same screws will be required to fix the the water pipe brackets (P7A). In the pad guide junction use the proper joint composed by P7A + P7B.



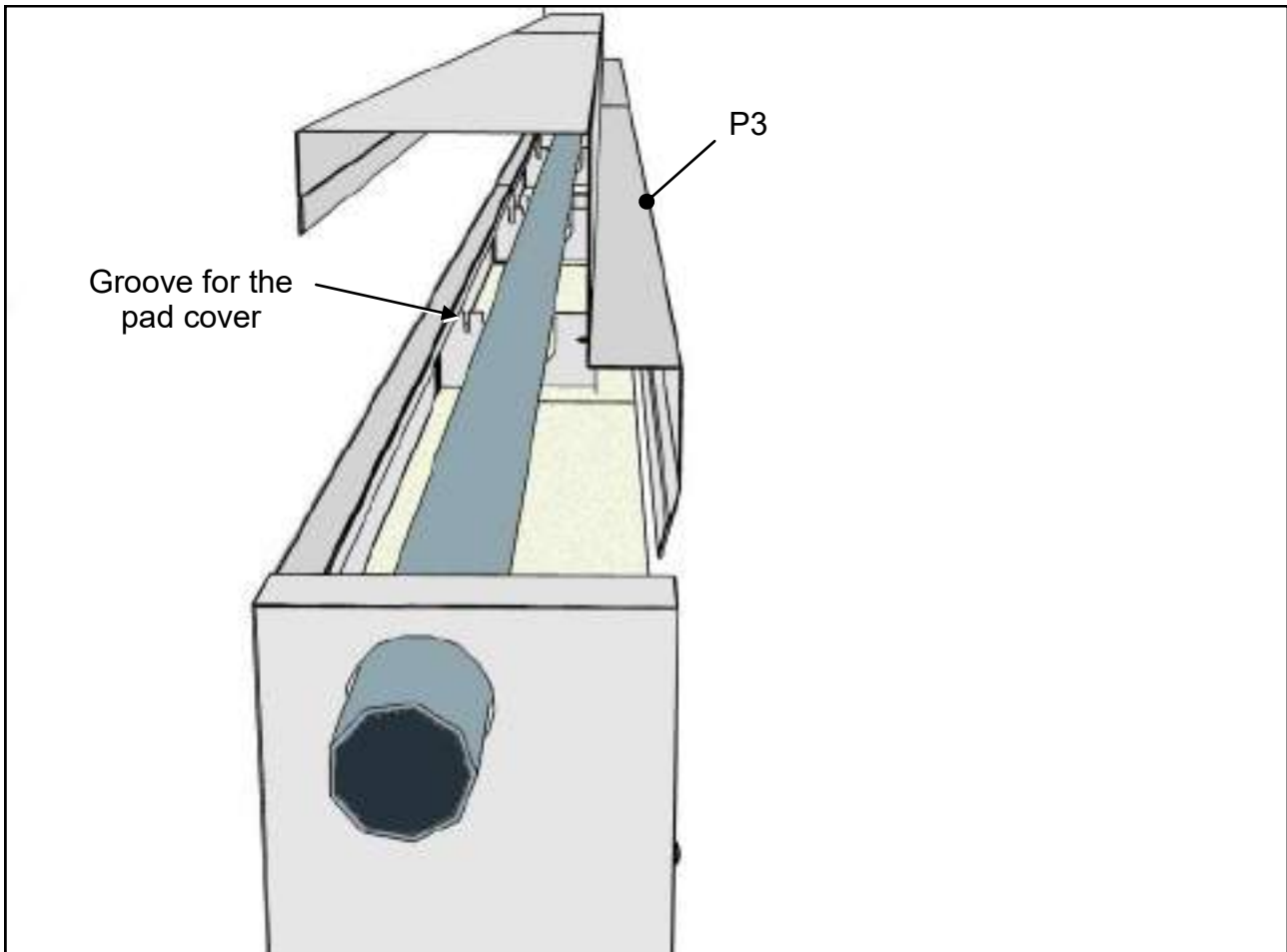


Insert the cellulose panels into the water gutter keeping them in close contact.
Lean on every cooling pad its related distribution panel.

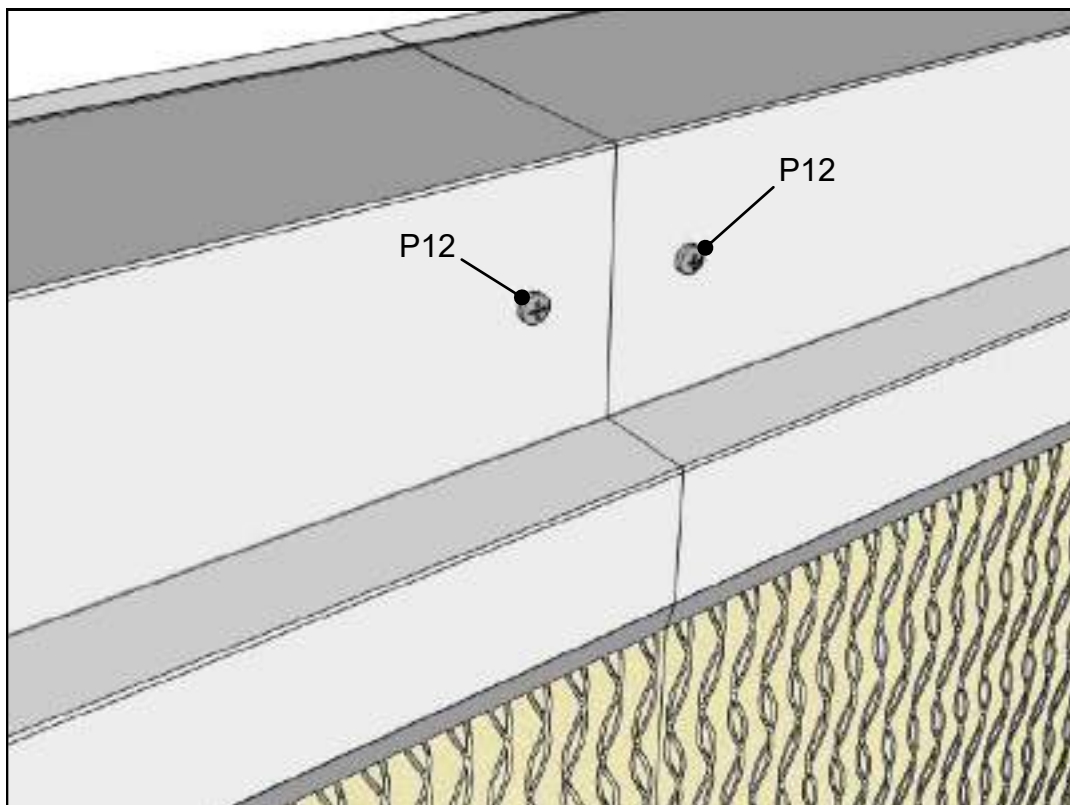
Insert the distribution pipe taking care to keep the holes as the illustrated position (45°).

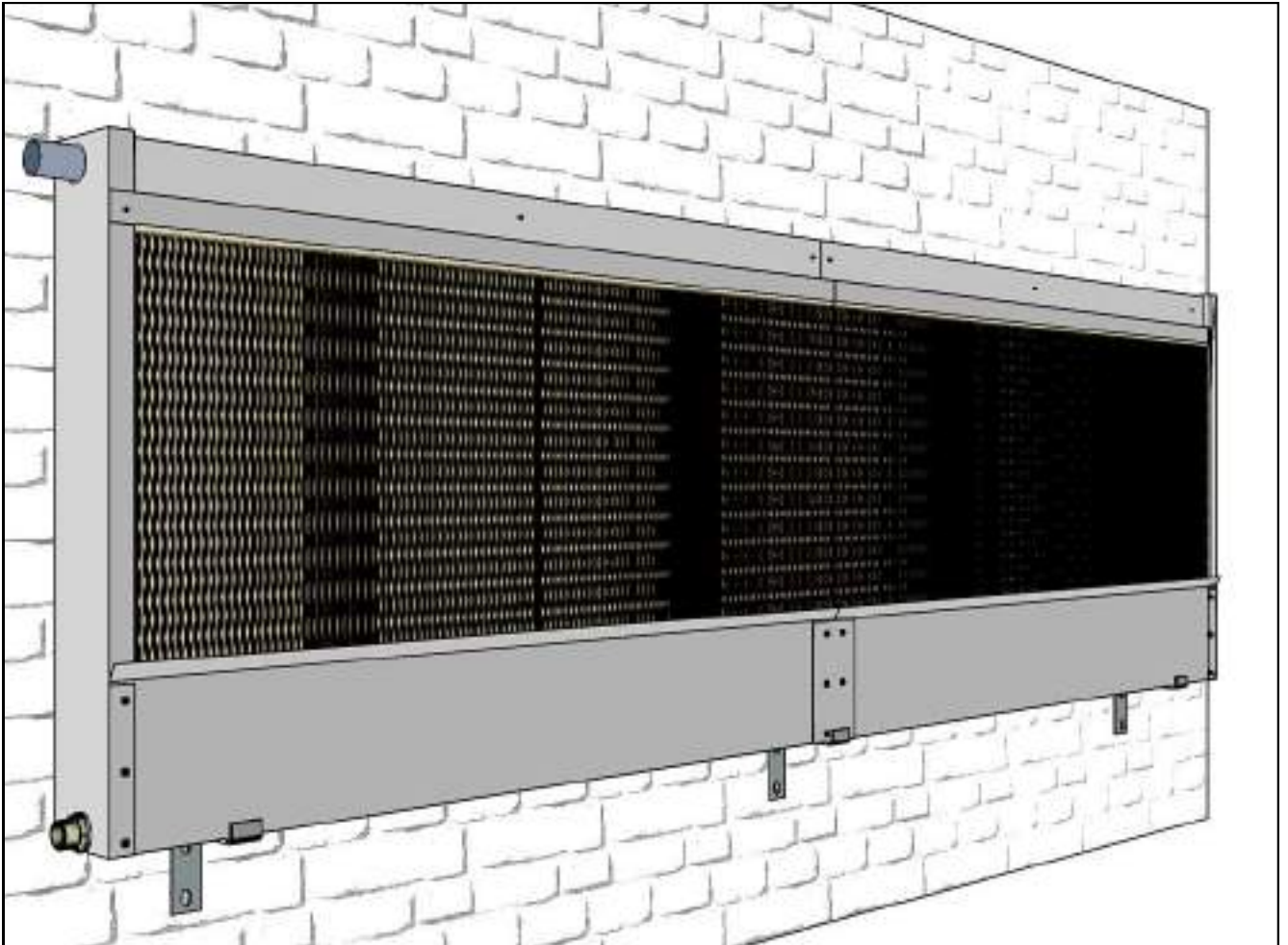


Modular cooling pad assembly instructions

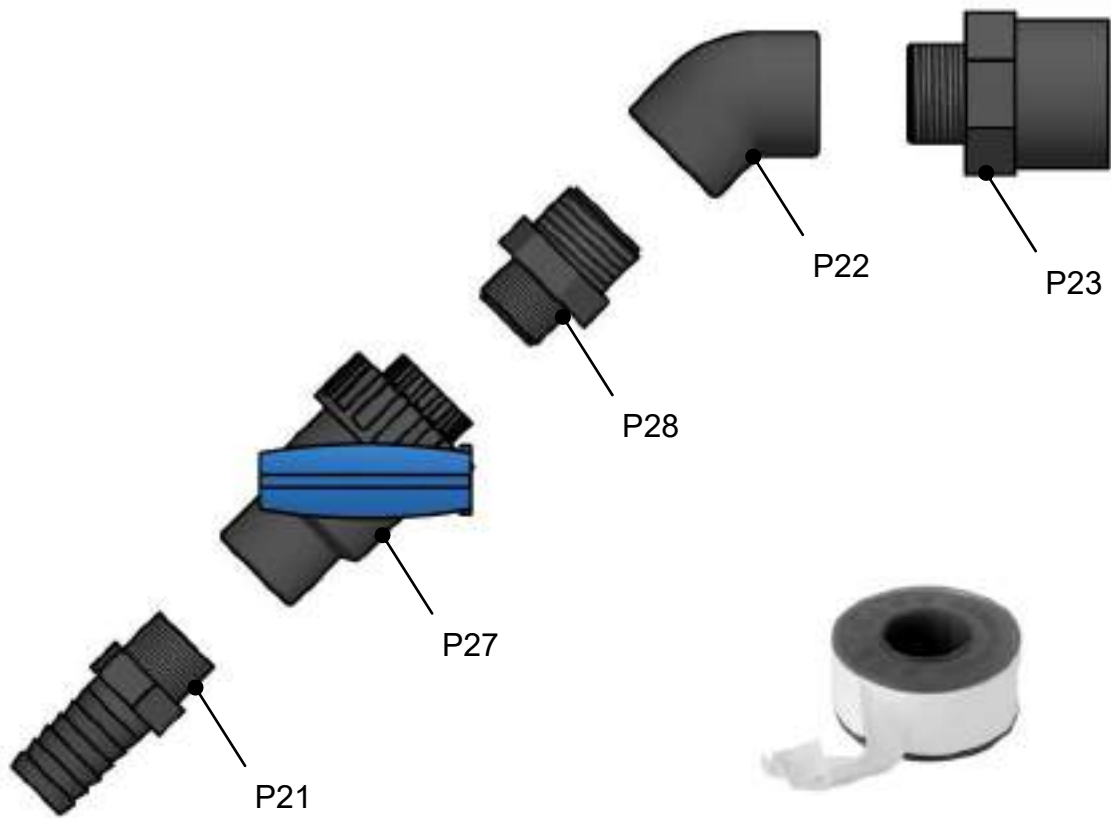


Put the pad cover P3 into the specific place on the hose-holding brackets fixing it with screws.



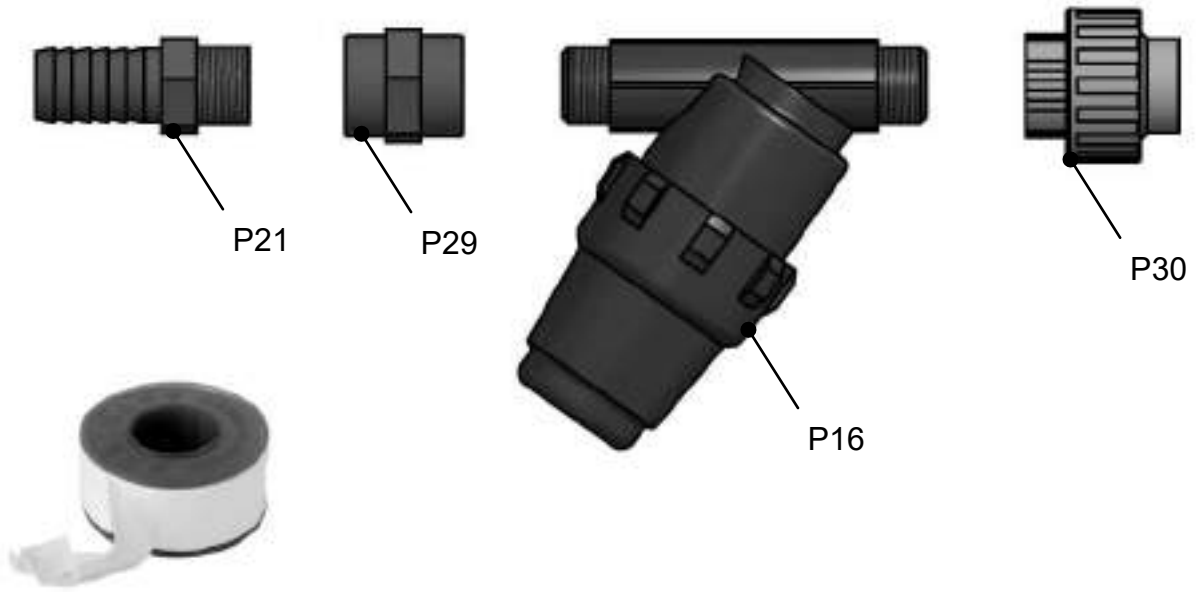


Modular cooling pad assembly instructions



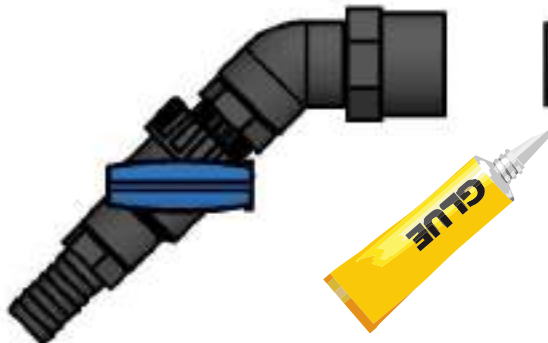
Mount the plumbing as indicated using PTFE tape to seal threads on fittings.





Mount the plumbing as indicated using PTFE tape to seal threads on fittings.

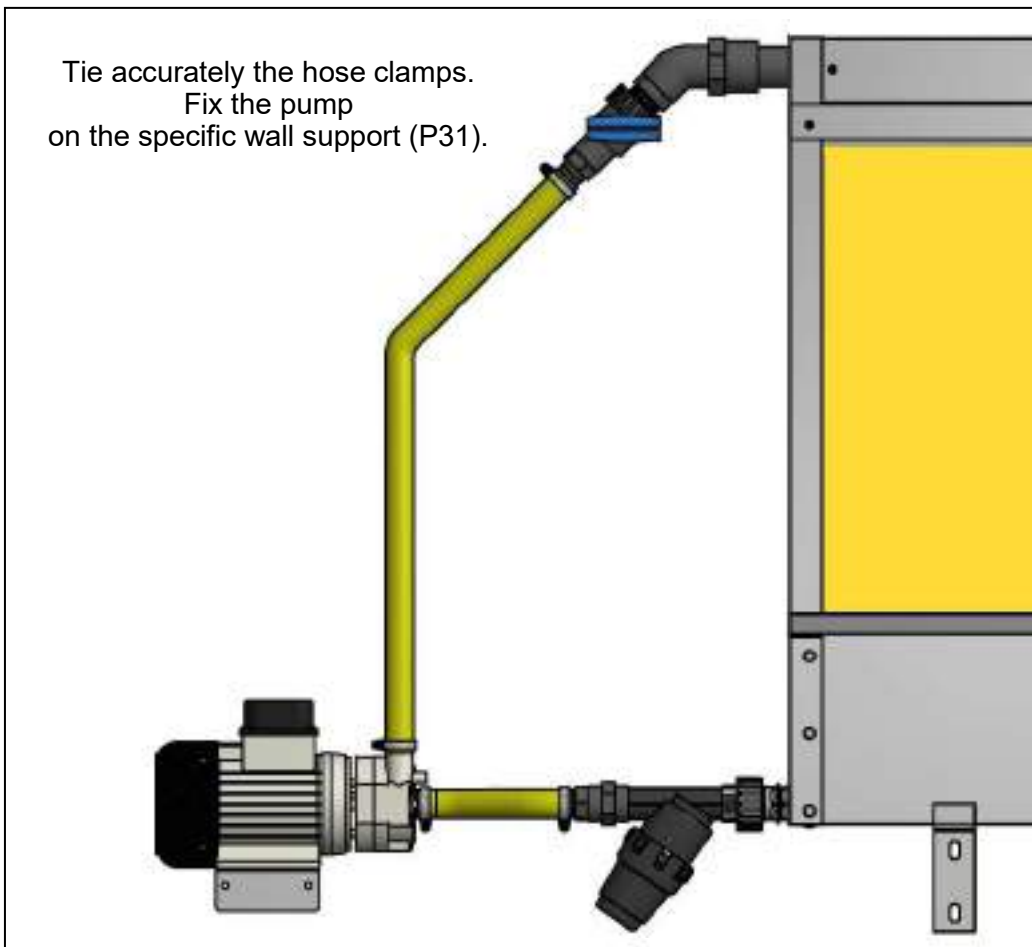
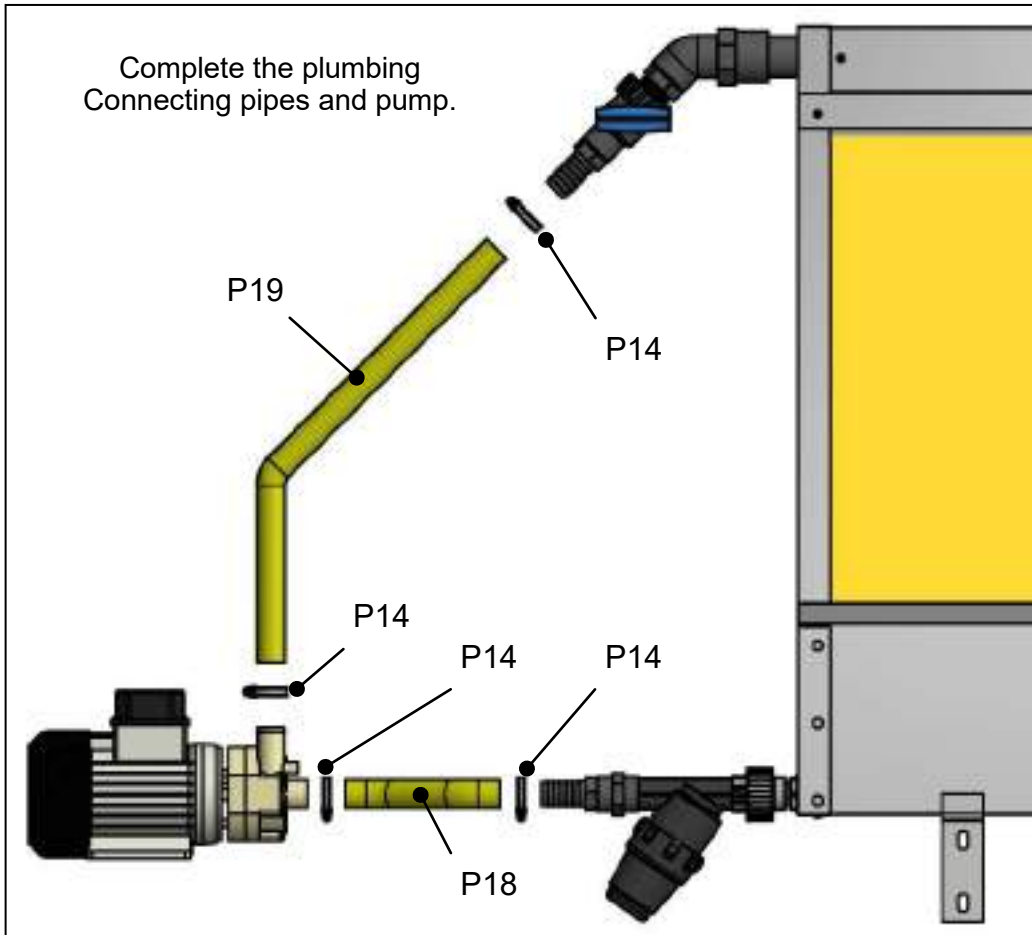




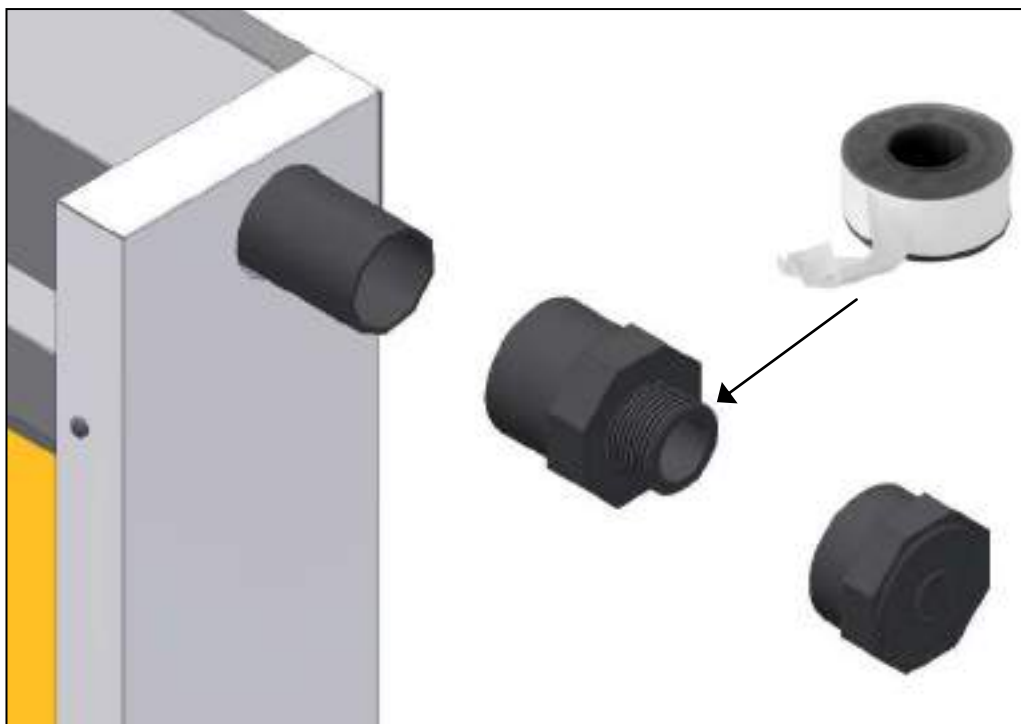
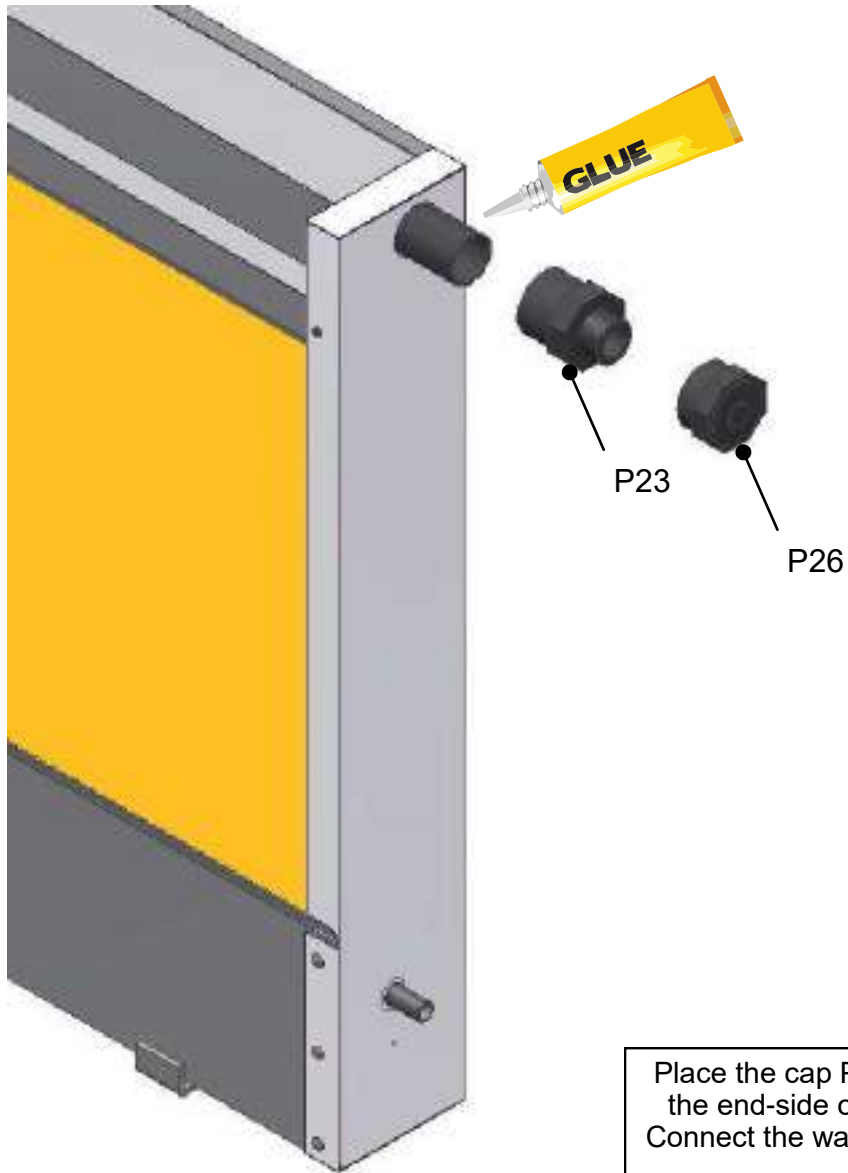
Stick the pipe connector P23 using the glue supplied in the kit.

Use PTFE tape to seal threads on fittings.





Modular cooling pad assembly instructions



WARNINGS



Warning! This manual is the general handbook for the installation of the modular cooling pad. Follow the assembly steps upgrading the installation based of the square footage and based on the wall type.



.Warning! The setting operations and maintenance of the modular cooling pad must be handled only by highly qualified person, according to safety regulations.



Warning! After the complete installation of the modular cooling pad wait 24h before the activation in order to guarantee a proper drying of glue and silicone,



Warning! The water of the first washing of the system must be cleaned out, allowing to remove any residual that could compromise the correct operation of the machinery.

MAINTENANCE

Water replacement in the system: it is recommended to clean out the water weekly; to ensure the correct operation of the cooling system it is suitable to keep the PH level between 6 and 8 and never exceed the minimum level of 5 and maximum level of 9, avoiding chemical problems on the epeporative panel.

It is recommended also not to exceed the water hardness of 250 ppm of CaCO₃.

Cleaning: whenever in presence of insufficient wetting it is necessary to clean the filter of the water distribution.

The cleaning operations consist of unscrew P20 caps and turn on the pump to start the cleaning cycle (remove the water used for the cleaning).



Warning! In the event that, after the clean-up of the system, will be found inappropriate wetting panels, it will be necessary going over the outlet water holes on the distribution pipes.

Limescale cleaning: in order to maintain an efficient system are recommended 2 cleaning cycles every year, using water mixed with vinegar to remove the limescale.

The water must be removed after the treatment.

Winter time

In the event of long period of inactivity it is absolutely necessary to bring the pump in dry in order to avoid scaling that could compromise the correct use of the system.

In winter time is absolutely necessary to empty the equipment to avoid the breaking of the pipes and the pump due to water freezing.

PACKAGING, TRANSPORT AND STORAGE

Transport and movement must be handle with care avoiding damages and risks on people who handle.

Please dispose of properly parts of packaging as pallet, carton boxes and plastic bags, expanded polystyrene, etc.

The storage of the components must be in a clean and dry place.

Before starting every assembly operation, prepare a large space suitable for an easy handling of the components after the result of the assembled product.



FRANCO S.r.l. - Via Nazionale, 80
12010 - Cervasca (CN) - Italy
Tel. (+39) 0171.61.16.63
Fax (+39) 0171.61.23.37
Email: info@francosrl.com
Web: www.francosrl.com